

Assumption of Risk

ALL PERSONS who use this DUMBWAITER bear the responsibility for the proper and safe use of this product.

Misuse, deliberate or otherwise, voids all warranties... written or expressed!

Powerlift Dumbwaiters, Inc. is NOT responsible for any damage, injury or death resulting from improper installation, product modification, additions or other changes which take place after the product has left the manufacture's plant.

IMPORTANT FACTS YOU SHOULD KNOW:

1 Anyone planning to use this dumbwaiter should read these operation instructions before using
the dumbwaiter.

2 **Do Not** let Children use the dumbwaiter without adult supervision!

3 The dumbwaiter is furnished with door safety switches which prevents the dumbwaiter from
operating if any door is not closed, they also will stop the dumbwaiter if any door is opened
while dumbwaiter is in operation. **Never Operate Dumbwaiter** if door safety switches are
not working properly. If your door safety switches are not working properly **Do Not Operate
the Dumbwaiter**, Immediately unplug the dumbwaiter and call the dealer/installer listed on
the back of this manual, and they will be replaced free of charge for the life of the dumbwaiter.

4 **Never use the dumbwaiter** if it is not operating properly. Call your service personnel or
installing dealer immediately.

5 Never use the dumbwaiter when smoke and/or Fire is present.

6 **Do Not Remove, By-pass or Alter** various switches, controls and/or restraining device.
These are mandated by national and local safety codes. Any tampering could result in
serious injury or death!

7 **Never** extend your hands, arms, legs, feet, head or body into your open hoist way to do
so could cause serious injury, death or damage your dumbwaiter!

8 **No Riding in Dumbwaiter Car!**

9 Your dumbwaiter is rated for a certain capacity. (See car capacity plate) **It Should
Not Be Overloaded!**

10 This Dumbwaiter is not designed for continuous operation. To many starts and stops
could overheat the motor and trip the fuse.

11 To prevent unauthorized use, digital on/off key pads, and key on/off switches can be obtained
from your dealer.

12 Observe, read and obey the **Warning Labels, Tags and Symbols**, as they are provided
by the manufacturer for your safety and protection.

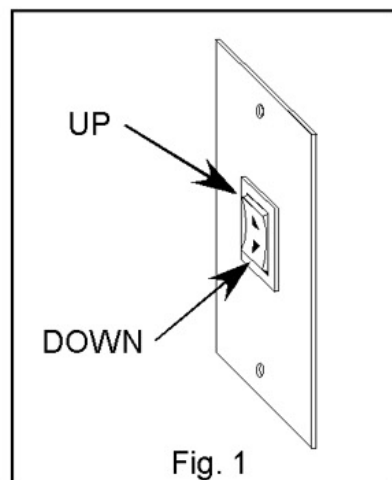
13 **Do Not Attempt to Repair this Dumbwaiter yourself.** Call the dealer/installer listed
on the back of this manual.

BASIC OPERATION OF YOUR DUMBWAITER



WARNING: Never extend your hands, arms, legs, feet, head or body into your open hoist way to do so could cause serious injury, death or damage your dumbwaiter!

- 1 Press the Hall Up/Down Push Button either up or down to call the dumbwaiter to your landing. (See Fig. 1)
- 2 Do not try to open the door until the dumbwaiter arrives. If you attempt to open the door while the dumbwaiter is running, the dumbwaiter will stop prematurely. If this happens, allow approximately 10 seconds before again pressing the Hall Up/Down Push Button to restart your dumbwaiter.
- 3 Once dumbwaiter has arrived to your landing you may open the door.
- 4 Load/Unload the car and close the door.
- 5 Push the Hall Up/Down Push Button to send to the floor desired.



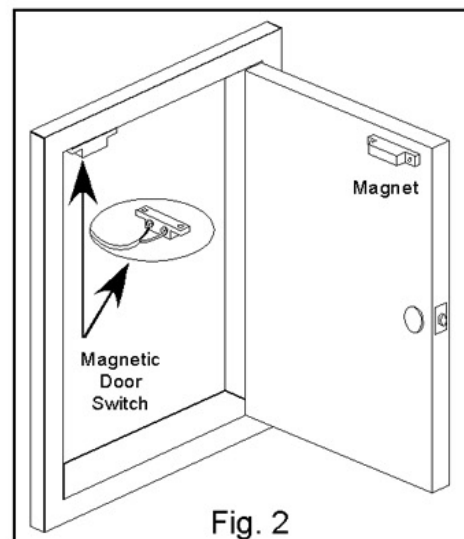
FURTHER USE:

- 6 When the specific floor is reached and the dumbwaiter stops, open the hoist way door.
- 7 Again, load/unload the car and close door securely. The dumbwaiter will then be ready for use from any landing.

NOTE: If the door is not completely closed, the dumbwaiter will not operate!

The dumbwaiter is furnished with door safety switches which prevents the dumbwaiter from operating if any door is not closed, they also will stop the dumbwaiter if any door is opened while dumbwaiter is in operation.

Never Operate Dumbwaiter if door safety switches are not working properly. If your door safety switches are not working properly **Do Not Operate the Dumbwaiter**, Immediately unplug the dumbwaiter and call the dealer/installer listed on the back of this manual, and they will be replaced free of charge for the life of the dumbwaiter. (See Fig. 2)



BEFORE CALLING FOR SERVICE, check for the following:

- 1 Are the hoist way doors closed securely allowing the door safety switches to make contact.
- 2 Have you allowed approximately 10 seconds after stopping for the timer to reset?

If after checking the above, your dumbwaiter still does not operate call your Dealer/Installer.

SUGGESTED MAINTENANCE WHICH WILL EXTEND THE LIFE OF YOUR POWERLIFT RESIDENTIAL DUMBWAITER.

- 1 Oil the top idler with lite weight oil (EX. 3 and 1 oil) once a year. (See Fig. 3)
- 2 Check chain for slack once a year. (See installing manual)
- 3 All hoist way doors should be kept in good working order, open and close easily, latch securely, etc.
- 4 Keep the bottom of dumbwaiter shaft (Motor and Controller) area clean.



WARNING: Unplug the dumbwaiter when servicing the machine.

